



MARCH
2024

BEAR SPRAY RECYCLING PROGRAM

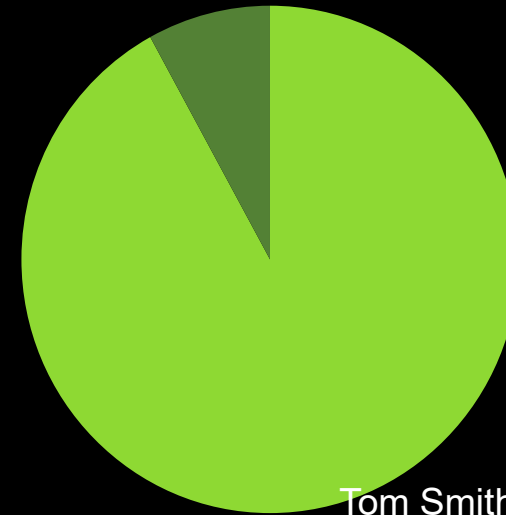
HELP KEEP OUR
LANDS AND WILDLIFE SAFE

PURPOSE

Importance of bear spray

- Bear spray is the best defense against bear attacks creates a large cloud of painful, peppery mist for a charging bear to encounter
- Yearly thousands of visitors and residents in Boundary and Bonner County buy bear spray when recreating in bear country
- The hope is never having to discharge your bear spray

Bear Spray's Effectiveness at Changing Bear Behavior



■ Behavior Changed = 92%

■ Behavior Not Changed = 8%

Tom Smith & Steven Herrero, *Efficacy of Bear Deterrent Spray In AK*, 2008



PROBLEMS

- Many cans are discarded after their expiration date
 - In YNP 1,000 canisters a year are thrown away
- Due to airline restrictions that prevent travelers from bringing home their bear spray
- Visitors do not live in areas that have bears and throw the spray away since it cannot be recycled
- Bonner and Boundary County Residents don't have a location to dispose of expired bear spray
- Local State, Federal, and County agencies don't have a location to dispose of expired bear spray

PROBLEMS

- Discarded bear spray creates environmental hazards in landfills from heavy metals, harsh irritants and chemical propellants.
- To keep promoting the positive use of bear spray we need to provide people a way to properly dispose of their bear spray
- Currently there is only 1 recycling center that safely processes discarded bear spray canisters
- Yellowstone, Glacier, and other National Parks have drop off locations that are later transported to the sorting facility in WA.

YELLOWSTONE NATIONAL PARK MONTANA STATE UNIVERSITY



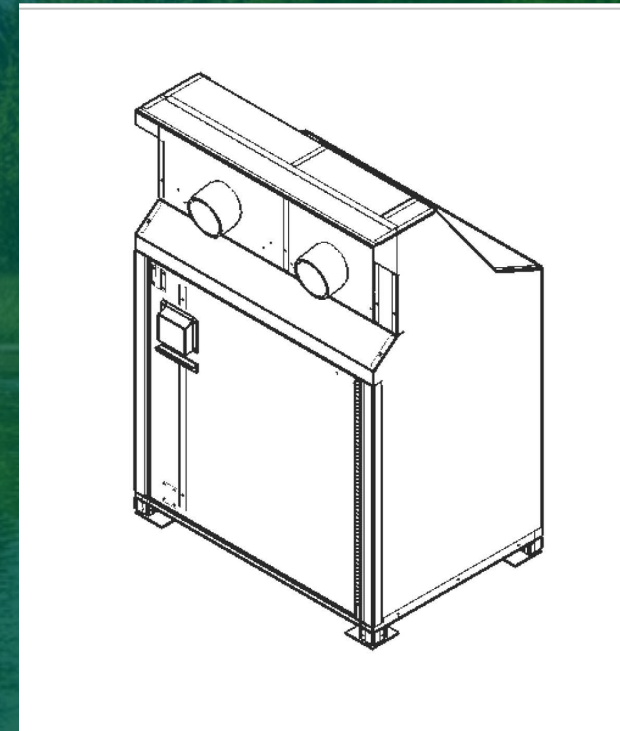
Overview - Bear Spray Recycling Program

- Drop off location
 - Sturgeon Station
 - Sandpoint RD Office
- All Bear Spray Brands and Inert canisters are accepted
- Everyone is allowed to drop off canisters
- Approx. Installation date
 - May 2024



Overview - Bear Spray Recycling Program

- Box Design – more photos to come after installation



Overview - Bear Spray Recycling Program

- KTOI will collect the canisters quarterly and once a year ship them to the recycling center to be processed.
- Future Ideas
 - More drop off locations in both Boundary and Bonner County
 - Possible incentives or discounts from bear spray retailers when individuals recycle their expired canisters

ACKNOWLEDGEMENTS!





THANK YOU!

SHELBY THERRIAN

WILDLIFE ECOLOGIST – KOOTENAI TRIBE OF IDAHO

Phone

208-603-0034

Email

Shelby.therian@kootenai.org